



Pump Model - version

DP 151 M - N.3.- -

Company Name
Contact
Telephone
FAX
E-Mail address

Receiver

From

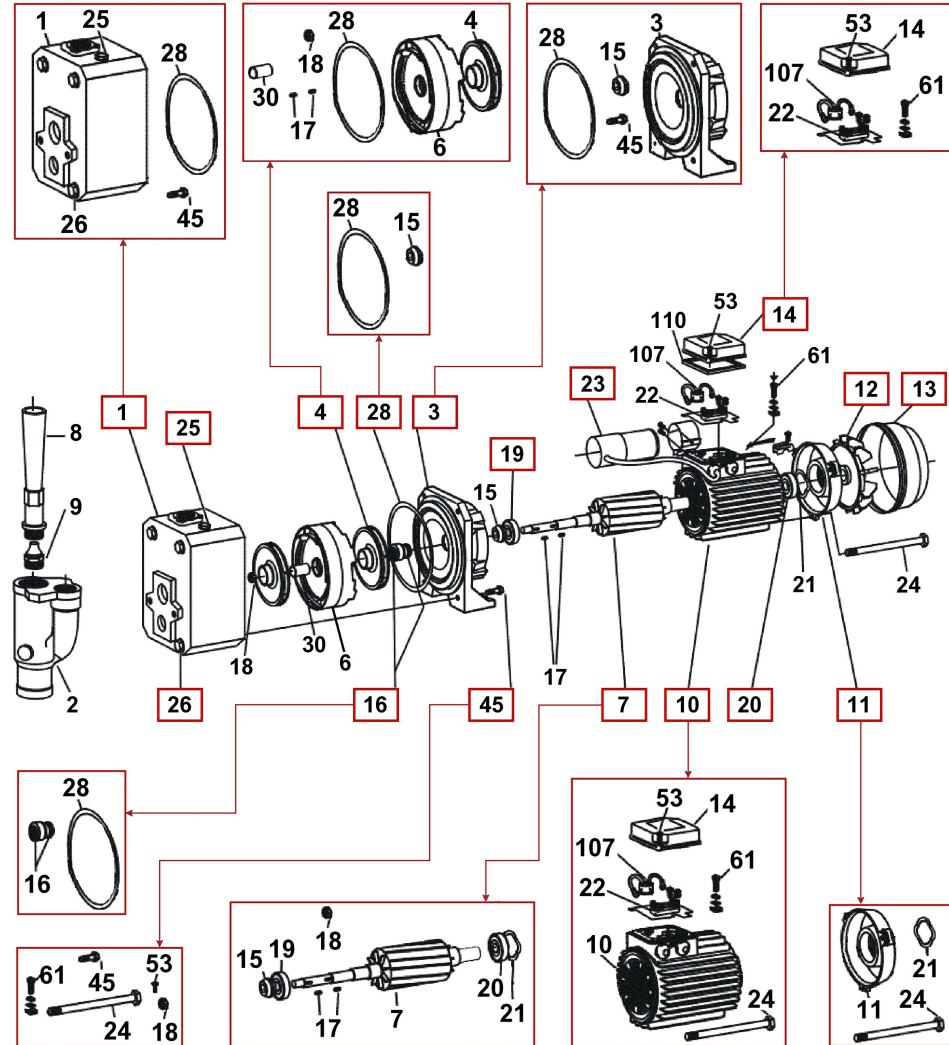
Serial Number

Attention: check the correspondence
with the serial number of the pump.

DP 151 M - N.3.- - @ 102161042_d

DP 151 M @ 102161042

Item	Quant	Item no.	Description	Unit pr.
1	1	R00005274	PUMP BODY	On req.
13	1	R00004703	FAN GUARD	On req.
12	1	R00005199	FAN	On req.
3	1	R00005386	SUPPORT	On req.
7	1	R00005241	MOTOR SHAFT	On req.
28	1	R00005387	OR	On req.
45	1	R00005388	NUTS AND BOLTS	On req.
19	1	R00005244	FRONT BEARING	On req.
20	1	R00005205	REAR BEARING	On req.
23	1	R00005206	CAPACITOR	On req.
4	1	R00005245	COMPLETE STAGE	On req.
11	1	R00005208	MOTOR COVER	On req.
10	1	R00005389	MOTOR	On req.
16	1	R00007849	SEAL	On req.
14	1	R00005390	TERMINAL BOARD	On req.
25	1	R00005213	LOAD PLUG	On req.
26	1	R00005428	DISCHARGE PLUG	On req.



Project

Project ID

Created by

Created on
2011-01-06

Last update